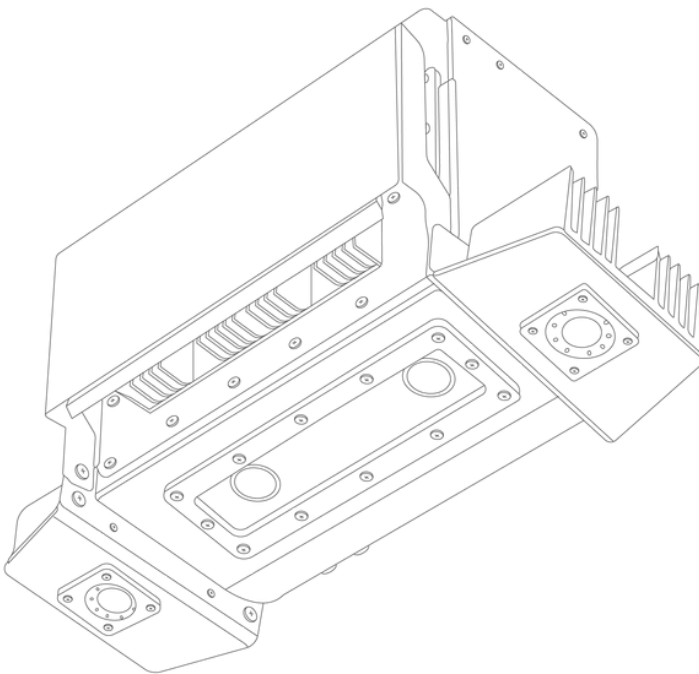


Heap Imager

Material analysis at the unloading site.



Under the new Organic Waste Regulation, organic waste may contain no more than 3% foreign matter. The Optocycle Heap Imager monitors the unloading of the material and any contaminants with load-specific accuracy and immediately displays the foreign matter content. This allows you to know right away which shipments need to be re-sorted before quality issues or customer complaints arise.

100%

Quality control.
Detect foreign materials.
Increase yields.

Heap Imager

Features:

- Automatically detects foreign materials and their proportions
- Can be flexibly installed right where you want to take measurements (e.g., at the stockpile)
- Results can be displayed on a realtime dashboard or transmitted to your systems via an interface.

Ihre Vorteile:

01 ↗

Compliance with legal limits – legally compliant & verifiable

02 ↗

Automated documentation and digital quality control

03 ↗

Faster decisions thanks to clear data

Contact:



Max Gerken

+49 176 830 52 851

m.gerken@optocycle.com